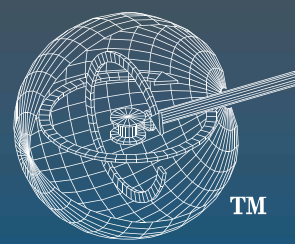


RTS Plastics Engineered Plastic Tanks

PRODUCT GUIDE



RTS
PLASTICS
A Division of RTS Companies Inc.



ONE COMPANY
endless
possibilities



RTS Plastics

A Division of RTS Companies Inc.



RTS Companies Inc. is a well-known North American manufacturer of custom and proprietary molded plastic products. RTS was originally formed in the year 2000 as a spinoff of the plastics division of Canbar, founded in 1872. Since then, RTS has continued with the tradition of producing high quality products for several different markets.

RTS Plastics is recognized as a leader in the manufacturing and distribution of a wide variety of storage solutions for industrial and agricultural markets; polyethylene tanks, double wall tanks, and custom fabrications.

Our polyethylene tanks are North American manufactured to strict ISO 9001:2015 quality guidelines to ensure years of customer satisfaction. Impact-resistant, non-corrosive, one-piece seamless linear and cross linked polyethylene construction allows RTS tanks to be used for the storage of most liquid fertilizers, herbicides, insecticides and fungicides, as well as a wide range of industrial chemicals.

RTS tanks are manufactured using food grade approved resin to ensure safe storage of potable water. With nearly 30 years rotational molding experience and computer directed roto-molding machines, RTS is able to combine a quality product with a competitive price to meet the challenges facing the agricultural, industrial chemical, water and waste water treatment markets.

Rotational molding gives way to a variety of applications. Utilize the RTS group of experienced engineers in creating a custom fabrication product to fit your needs. Our full-service engineering group works with SolidWorks and AutoCAD software to design your product. From the initial concept, construction of the mold, through to shipping the product out the door, RTS will work with you in confidence on the project.

Talk to your RTS Plastics representative to find out more about the RTS tank line, or visit our website at www.rtsplastics.com



Contents

<u>Chemtote / IBC</u>	<u>3</u>	<u>Fittings / Adaptors</u>	<u>26</u>
<u>Conical / Cone Bottom</u>	<u>7</u>	<u>Horizontal Commercial</u>	<u>13</u>
<u>Custom Tanks / Molding</u>	<u>24</u>	<u>Horizontal Industrial</u>	<u>14</u>
<u>Dispensing Tanks</u>	<u>23</u>	<u>Rectangular Storage & Containment</u>	<u>5</u>
<u>Double Wall Captor</u>	<u>9</u>	<u>Self Contained Day Tanks</u>	<u>15</u>
<u>Double Wall Open Top Containment</u>	<u>11</u>	<u>Vertical Close Top</u>	<u>17</u>
		<u>Vertical Open Top</u>	<u>21</u>

Services

- Drawings and Specifications
- Quality Control - Quality Assurance
- Molded-in Inserts and Graphics
- Spin Welding
- U.L., U.N., C.S.A. Certification
- Drop Shipping services available
- Facility in Ontario Canada and Ohio USA
- Assembly is our specialty

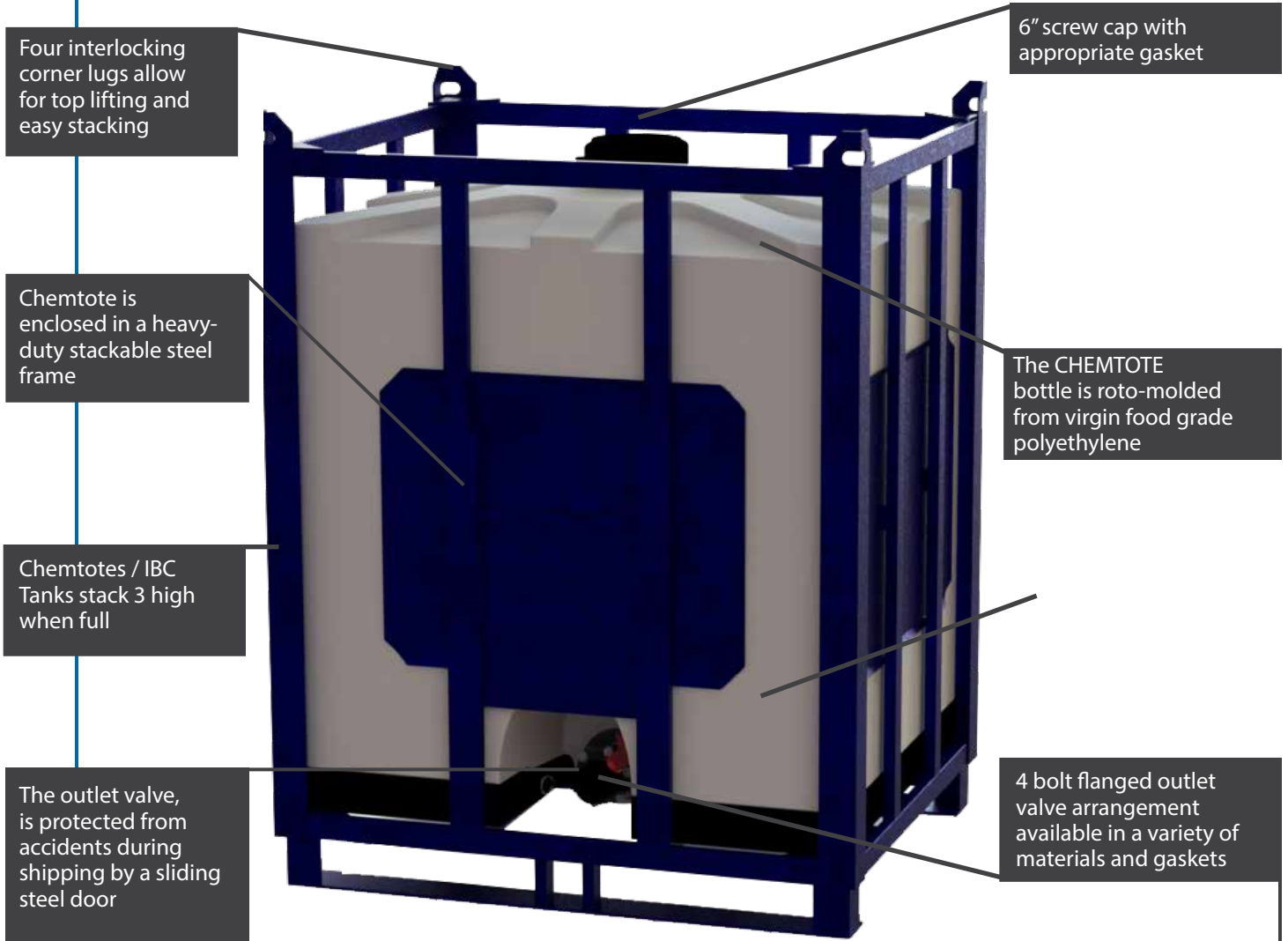


RTS Manufactures to strict ISO 9001:2015 standards.



Chemtotes® / IBC Tanks

Intermediate Bulk Containers



The series 300 CHEMTOTE® / IBC Tank is designed, tested, manufactured, and approved to satisfy the National Standard of Canada CAN/CGSB 43.146-94 UN approval for the transportation of regulated liquids.

These lightweight, durable and corrosive resistant tanks are ideal for both hazardous and non-hazardous liquid applications, and are available in a wide variety of shapes and sizes. Rotationally molded in wall thickness up to a 1/2 inch, these tanks provide some of the industry's highest useful life-to-cost ratios.



Dangerous & Non-Dangerous Food Grade Liquids

- Capacities ranging from 150-283 Imperial Gallons (681-1284 Litres)
- Excellent alternative to 45 Gallon drums
- Wide variety of valve assemblies, lids, vents and gasket material available
- Units stack 3 high when full
- U.N approved for worldwide transportation of dangerous goods up to 1.9 specific gravity

Viscous Liquids

- Popular 270 Imperial Gallon (1226 Litre) capacity
- Store and ship viscous liquids, such as honey, molasses, syrups and concentrates
- Wide variety of valve assemblies, lids, vents and gasket material available

Options

Poly-Pro Valve	Brass Valve	Fully Enclosed Metal Sides
Stainless Steel Valve	4 Way Anti-tip Plates	Camloc or NPT Valve Outlet
Carbon Steel Valve	Laser Cut Identification Plates	Variety of Gasket Types
Auto Venting		

Note: Due to many various designs, prices are quoted per application.

Volume Specifications:

CT-306	150 Imp. Gal	170 US Gal	681 Litre
CT-308	200 Imp. Gal	250 US Gal	908 Litre
CT-305	250 Imp. Gal	300 US Gal	1135 Litre
CT-309	270 Imp. Gal	323 US Gal	1226 Litre
CT-304	270 Imp. Gal	323 U.S Gal	1225 Litre
CT-307	283 Imp. Gal	339 US Gal	1284 Litre

Dimensions:

CT-306	40" W x 48" L x 44" H
CT-308	40" W x 48" L x 54" H
CT-305	40" W x 48" L x 63" H
CT-309	40" W x 48" L x 63" H
CT-307	40" W x 48" L x 65" H
CT-304	41" W x 51" L x 64" H



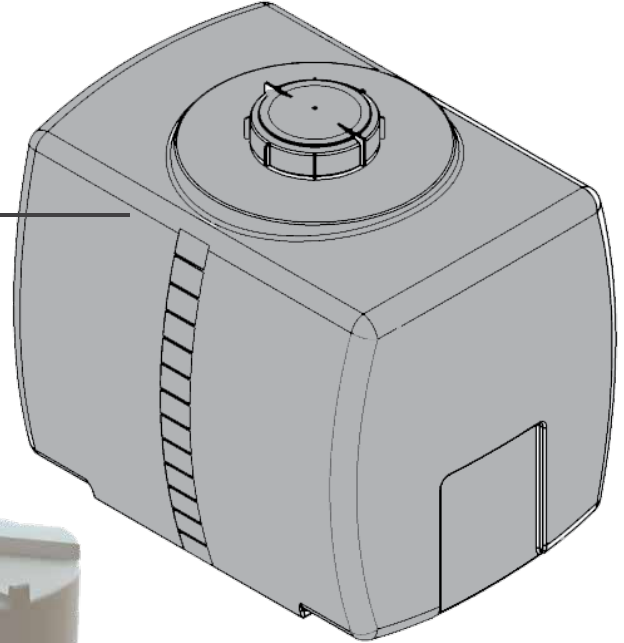
Rectangular Storage Tanks & Containment

Closed and open top models

25 IG Containment Tank

w/6" threaded cap w/vent

w/Molded-in Gallon markings



Rectangular
Containment Tank
shown holding
Vertical Storage
Tank(s)

Rotationally molded in one piece using
Linear Virgin Polyethylene

These poly tanks are great for secondary containment basins and material handling. Available in a variety of shapes and sizes. Custom fabrication is also an option with these tanks if standard dimensional units do not meet your requirements.

Capacity:

6 Imperial Gallons - 300 Imperial Gallons
(7 USG - 360 USG)



Open Top Rectangular Storage and Containment Tanks

Model No.	Part No.	Capacity			Dimensions		
		IG	USG	Litres	D	L	H
RT-6	1049-12122T-0000	6	7	27	12	12	12
RT-12	1049-24122T-0000	12	14	55	24	12	12
RT-14	1049-18182T-0000	14	17	64	18	18	12
RT-14	1049-18128T-0000	14	17	64	18	12	18
RT-18	1049-18124T-0000	18	22	82	18	12	24
RT-20	1049-24104T-0000	20	24	91	24	10	24
RT-28	1049-18184T-0000	28	34	127	18	18	24
RT-28	1049-24188T-0000	28	34	127	24	18	18
RT-36	1049-24248T-0000*	36	43	164	24	24	18
RT-50	1049-48124T-0000	50	60	227	48	12	24
RT-56	1049-24186T-0000	56	67	255	24	18	36
RT-62	1049-34232T-0000	62	74	282	34	23	22
RT-62	1049-24243T-0000	62	74	282	24	24	30
RT-62	1049-30244T-0000	62	74	282	30	24	25
RT-78	1049-30304T-0000*	78	94	355	30	30	24
RT-135	1049-46293T-0000	135	165	625	46	29	29
RT-140	1049-36306T-0000*	140	168	636	36	30	36
RT-145	1049-47414T-0000	145	174	659	45	39	23
RT-300	1049-73383T-0000	300	360	1375	73	38	32
RT-300-IBC	2515-00101T-0000	300	360	1364	66	66	24



Notes:

Series 1049 denotes 1.9 Specific Gravity. Capacities and dimensions are approximate. Rectangular tanks are not self supporting, a frame should be used to support the side wall when full of liquid. * Denotes fabricated sheet cover lid.

Closed Top Rectangular Storage Tanks

Model No.	Part No.	Capacity			Dimensions		
		IG	USG	Litres	D	L	H
RT-25	1235-00030B-0010	25	30	110	25	19	22
RT-40	1235-00050B-0010	40	50	180	38	20	23
RT-80	1235-00100B-0010	80	100	365	38	30	31
RT-125	1235-00150B-0010	125	150	570	48	36	29
RT-165	1235-00200B-0010	16	200	750	49	37	40



Notes:

RTS Closed Top Rectangular Tanks are complete w/lid. Banding is required for mobile application.

Conical Tanks



Available Options Include:

- Steel Stand
- Gallonage and Litre Markings
- Tiedown Supports
- Vent Fittings
- Outlet Valves
- FDA Polyethylene
- Sight Glass
- Lifting Lug
- Threaded Vented Manway
- 1/3 - 2/3 Hinged Lids

Conical (Cone Bottom) tanks are rotomolded in one piece (no seams) using Linear Virgin Polyethylene, and come in a variety of open or close top variations.

The cone bottoms are designed for quick and complete drainage.

Capacity:

12 Imperial Gallons - 5,000 Imperial Gallons
(14 USG - 6,000 USG)



Conical Tanks

Model No.	Part No.	Degree	Capacity			Dimensions	
		Cone	IG	USG	Litres	I.D.	O.A.H.
CBT-12	1249-00015B-0010	45	12	14	55	17	31
CBT-14	1249-00017B-0010	60	14	17	64	19	24
CBOT-26	1069-01732T-0000	30	26	31	118	18	36
CBT-30	1249-00035B-0010	30	30	36	136	30	26
CBT-55	1249-00065B-0010	30	55	66	250	30	33
CBOT-60	1069-0224T5-0000	30	60	72	273	23	52
CBT-90	1249-00110B-0010	30	90	108	409	30	48
CBOT-200	1069-03656T-0000	30	200	240	909	36	68
CBOT-300	1069-04844T-0000	30	300	360	1360	48	72
CBOT-400	1069-04860T-0000	30	400	480	1820	48	72
CBT-415	1249-00500B-0010	30	415	498	1887	86	42
CBOT-500	1069-04875T-0000	30	500	600	2270	48	87
CBOT-550	1069-04884T-0000	30	550	660	2500	48	95
CBT-840	1249-01001B-0010	45	840	1008	3819	64	100
CBT-840	1249-01000B-0010	30	840	1008	3819	86	63
CBT-1200	1249-01400B-0010	30	1200	1440	5455	86	76
CBT-1250	1249-01500B-0010	45	1250	1500	5683	64	138
CBT-1400	1249-01650B-0010	30	1400	1680	6364	86	93
CBT-1700	1245-02000B-0010	30	1700	2040	7728	90	102
CBT-2100	1245-02500B-0010	30	2100	2520	9547	90	129
CBT-2200	1245-02600B-0010	45	2200	2640	10001	90	148
CBT-2500	1245-03000B-0010	30	2500	3000	11365	90	148
CBT-5000	1245-06000B-0010	30	5000	6000	22730	142	135

Notes:

Part Number 1069 and 1249: 1.9SG

Part Number 1245: 1.5 SG

Capacities and dimensions are approximate

CBOT is an open top tank

CBT is a closed top tank

Dimensions are for tank only, overall height as per tank drawings

Double Wall Captor Tanks

Available Options Include:

- Goose Neck Vents
- External Fill Lines
- Pump Out Lines
- Sight Glass Assembly
- Lifting Lugs
- Heat Tracing
- Insulation Package

Chemical Applications

- Calcium Chloride
- Caustic Soda
- Deionized Water
- Ferric Chloride
- Phosphoric Acid
- Sodium Hypochlorite
- UREA (DEF)
- Waste Oils & Lubricants

Transition Fitting

Long term sealing power through both walls of the Double Containment Tank



Flat areas allow for ease of fitting installations

Variety of size/shape vents available

Molded in Tie Down Lugs meet seismic and 150mph wind load requirements

Two tanks in one design provide double-wall protection. Secondary Containment Tank provides at least 115% of inner tank's capacity

Available in closed top and open top configurations, RTS' double wall containment systems offer a wide range of options for bulk chemical storage and containment. Double Wall Captor tanks enclose and interlock the outer and inner tank to prevent foreign debris from entering the tank.

The outer Containment Tank provides 115-120% of inner tanks' capacity for added safety. Complies with 40CFR-264.193.

Capacity:

29 Imperial Gallons - 8,325 Imperial Gallons
 (35USG - 10,000 USG)

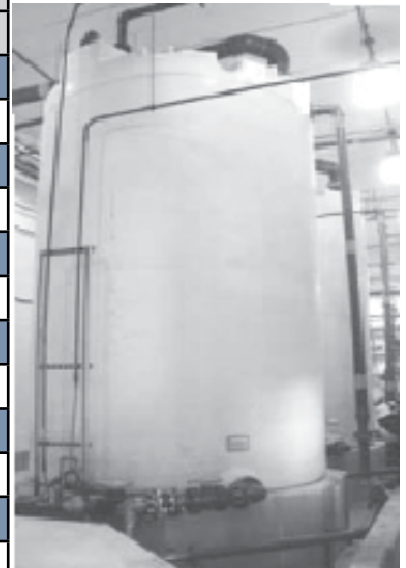


Double Wall “Captor” Tanks

Model No.	Part No.	Capacity			Dimensions	
		IG	USG	Litres	Dia.	HT
DWCT-30	1269-00035B-0010	29	35	132	22	36
DWCT-50	1269-00060B-0010	50	60	227	26	41
DWCT-100	1269-00120B-0010	100	120	454	34	50
DWCT-125	1269-00150B-0010	125	150	568	34	60
DWCT-230	1269-00275B-0010	230	276	1044	47	60
DWCT-300	1269-00360B-0010	300	360	1362	53	60
DWCT-400	1269-00500B-0010	400	480	1816	53	78
DWCT-450	1259-00550B-0010	450	550	2046	76	65
DWCT-900	1259-01100B-0010	900	1100	4091	76	106
DWCT-1275	1259-01550B-0010	1275	1550	5796	76	139
DWCT-1700	1259-02000B-0010	1700	2000	7728	102	105
DWCT-2100	1259-02500B-0010	2100	2500	9547	102	124
DWCT-2500	1255-03000B-0010	2500	3000	11365	102	144
DWCT-2900	1255-03500B-0010	2900	3500	13183	120	158
DWCT-3300	1255-04000B-0010	3300	4000	15002	102	179
DWCT-3700	1255-04500B-0010	3700	4500	16820	102	197
DWCT-4100	1255-05000B-0010	4100	5000	18639	102	216
DWCT-4600	1255-05500B-0010	4600	5500	20912	120	173
DWCT-5400	1255-06500B-0010	5400	6500	24548	120	200
DWCT-7250	1255-08700B-0010	7250	8700	32900	142	197
DWCT-8325	1255-10000B-0010	8325	10000	37850	142	226

Notes:

Part Number 1255 and 1265 is for 1.5 SG
 Part Number 1259 and 1269 is for 1.9 SG
 XLPE tanks are available



“Captor” Transition Fittings

EPDM Gasket / Stainless Bolts

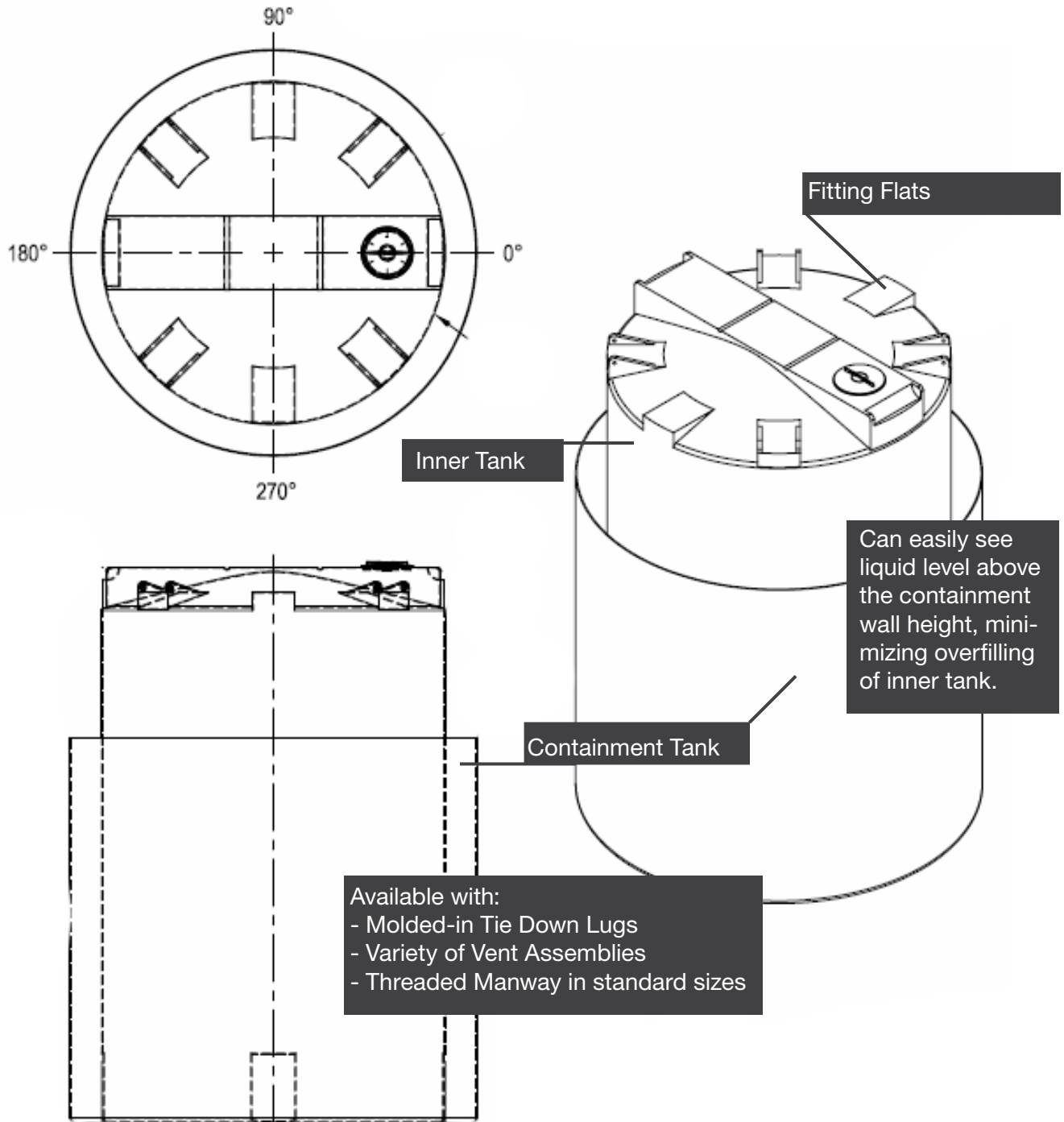
Size	Part No.
2"	9703-592000-6502
3"	9703-593000-6502
4"	9703-594000-6502
6"	9703-596000-6502

Viton Gasket / Stainless Bolts

Size	Part No.
2"	9703-592000-6602
3"	9703-593000-6602
4"	9703-594000-6602
6"	9703-596000-6602

Bolted Bulkhead fittings must be used with the above and are not included in the price.
 6" available on 120" diameter and larger tanks only. Transition fittings at 0, 180, 270 and 0 degree only

Double Wall Open Top Containment Tanks



RTS Double Wall Open Top Tanks are made from virgin linear Polyethylene, and come in a variety of dimensional and volume sizes. DWOT Tanks are great for indoor storage where weather is not a concern.



Capacity:

250 Imperial Gallons - 8,000 Imperial Gallons
(300 USG - 9,600 USG)

Double Wall Open Top Containment

Model No.	Part No.	Capacity			Dimensions	
		IG	USG	Litres	Dia.	HT
DWOTC-250	1805-X0300A-0000	250	300	1137	48	49
DWOTC-350	1805-X0400A-0000	350	420	1591	48	62
DWOCT-450	1805-X0550A-0000	450	540	2046	60	75
DWOTC-500	1805-X0600A-0000	500	600	2273	48	92
DWOTC-501	1805-X0601A-0000	500	600	2273	60	63
DWOTC-1050	1805-X1250A-0000	1050	1260	4773	86	70
DWOTC-1250	1805-X1500A-0000	1250	1500	5683	90	70
DWOTC-1360	1805-X1600A-0000	1360	1632	6183	90	79
DWOTC-1400	1805-X1700A-0000	1400	1680	6364	90	80
DWOTC-1700	1805-X2000A-0000	1700	2040	7787	102	89
DWOTC-2100	1805-X2500A-0000	2100	2520	9547	102	108
DWOTC-2500	1805-X3000A-0000	2500	3000	11365	102	125
DWOTC-2501	1805-X3001A-0000	2500	3000	11365	120	96
DWOTC-3300	1805-X4000A-0000	3300	3960	15002	120	131
DWOTC-3800	1805-X4600A-0000	3800	4560	17275	120	141
DWOTC-4100	1805-X5000A-0000	4100	4920	18639	102	202
DWOTC-4600	1805-X5500A-0000	4600	5520	20912	142	131
DWOTC-5000	1805-X6000A-0000	5000	6000	22730	120	187
DWOTC-5400	1805-X6500A-0000	5400	6480	24548	142	152
DWOTC-6300	1805-X7500A-0000	6300	7560	28640	120	232
DWOTC-7000	1805-X8400A-0000	7000	8400	31822	142	193
DWOTC-8000	1805-X9600A-0000	8000	9600	36368	142	214

Notes:

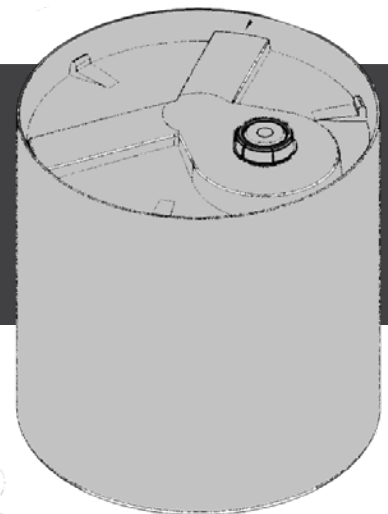
Chemical compatibility determines the resin and specific gravity

Part Number 1805: 1.5 SG

Part Number 1809: 1.9 SG

Capacities and dimensions are approximate

Containment Volume meets 40-CFR-264.193

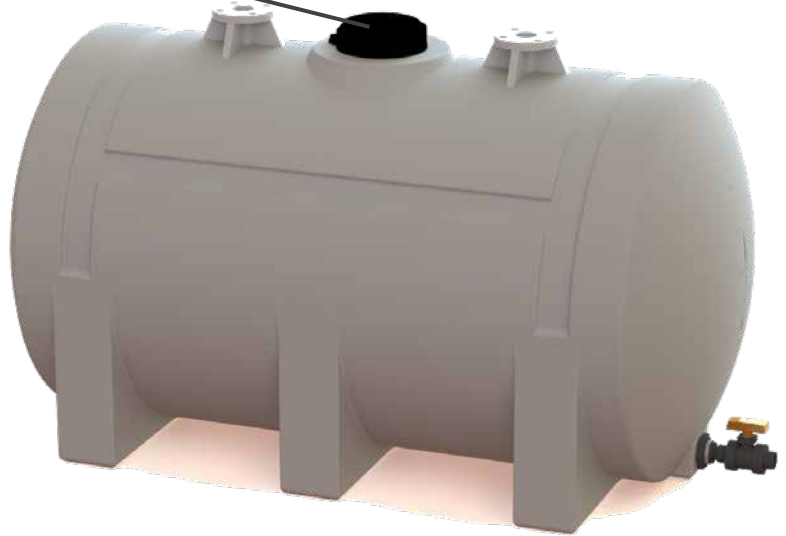


Horizontal Commercial Tanks

Threaded Manway

Available With:

- Top fill openings
- Tie downs
- Baffles
- Volume markers
- Variety of fittings



Model No.	Part No.	Capacity			Dimensions		
		IG	USG	Litres	D	L	H
HLT-25	1229-00030B-0015	25	30	114	23	20	26
HLT-50	1229-00060B-0015	50	60	227	23	39	25
HLT-130	1099-13444A-0000	130	156	591	30	49	35
HLT-200	1229-00230B-0015	200	240	909	38	52	43
HLT-250	1099-13476A-0000	250	300	1137	38	72	42
HLT-440	1229-00525B-0015	440	528	2000	48	75	53
HLT-600	1229-00730B-0015	600	720	2728	54	80	58
HLT-850	1229-01025B-0015	850	1020	3864	48	139	48
HLT-1400*	1229-01685B-0015	1400	1680	6364	61	159	62
HLT-1660	1229-00166B-0015	1660	1992	7546	60	160	71
HLT-2850	1225-03400B-0015	2850	3400	12800	82	155	86

Notes:

1225 Denotes 1.5 Specific Gravity tank, 1229 denotes 1.9 Specific Gravity tank
All capacities and dimensions are approximate. See drawing for details



RTS Plastics' Horizontal Commercial Storage Tanks are manufactured with a cylindrical low profile design with molded-in legs that do not require a steel cradle support. Ideal for liquid with specific gravity of 1.0. Resin is NSF.61 and FDA certified for potable water.

Capacity:

25 Imperial Gallons - 2,850 Imperial Gallons (30 USG - 3,420 USG)



Horizontal Industrial Tanks



Model No.	Part No.	Capacity			Dimensions		
		IG	USG	Litres	D	L	H
HLT-25	1229-00030B-0010	25	30	114	23	20	26
HLT-50	1229-00060B-0010	50	60	227	23	39	25
HLT-130	1099-13444A-0000	130	156	591	30	49	35
HLT-200	1229-00230B-0010	200	240	909	38	52	43
HLT-250	1099-13476A-0000	250	300	1137	38	72	42
HLT-440	1229-00202B-0010	440	528	2000	48	75	53
HLT-600	1229-00730B-0010	600	720	2728	54	80	58
HLT-850	1229-01025B-0010	850	1020	3864	48	139	48
HLT-1400*	1229-01685B-0010	1400	1680	6364	61	159	62
HLT-1660	1229-00166B-0010	1660	1992	7546	84	142	55
HLT-2850*	1225-03400B-0010	2850	3420	12956	82	155	89

Notes:

1225 Denotes 1.5 Specific Gravity tank, 1229 Denotes 1.9 Specific Gravity tank
 All capacities and dimensions are approximate. See drawing for details

RTS Plastics' Horizontal Storage Tanks are manufactured with High-Density Polyethylene (HDP) in a wide range of sizes and capacities. Low profile design makes these tanks suitable for safely storing and transporting liquids with a specific gravity higher than 1.0.

Capacity:

25 Imperial Gallons - 2,850 Imperial Gallons (30 USG -3,420 USG)

Self Contained Day Tanks

Molded-in Cradle for Pump

6" Threaded Lid

Primary Self Contained Tank

Molded-in Gallon marker

Containment Basin



RTS Plastics' Self Contained Day Tanks are designed to fit through a standard doorway and come with a 6" Threaded Lid or 8" Screw Top Manway.

Capacity:

22 Imperial Gallons - 110 Imperial Gallons
(26 USG - 132 USG)



Self Contained Day Tanks - Circular Containment

Model No.	Part No.	Capacity			Overall Dimensions			
		IG	USG	Litres	Dia.	Length	Width	Height
SCDTC-22	1829-42222A-xx-xx	22	26	100	27	-	-	24
SCDTC-44	1829-42238A-xx-xx	44	53	200	27	-	-	38
SCDTC-66	1829-42253A-xx-xx	66	79	300	27	-	-	53
SCDTC-88	1829-42653A-xx-xx	88	106	400	31	-	-	53
SCDTC-110	1829-42666A-xx-xx	110	132	500	31	-	-	66

Self Contained Day Tanks - Rectangular Containment

Model No.	Part No.	Capacity			Overall Dimensions			
		IG	USG	Litres	Dia.	Length	Width	Height
SCDTR-22	1839-42222A-xx-xx	22	26	100	-	25	25	22
SCDTR-44	1839-42238A-xx-xx	44	53	200	-	25	25	38
SCDTR-66	1839-42253A-xx-xx	66	79	300	-	31	31	53
SCDTR-88	1839-42653A-xx-xx	88	106	400	-	37	31	53
SCDTR-110	1839-42666A-xx-xx	110	132	500	-	37	31	66

Notes:

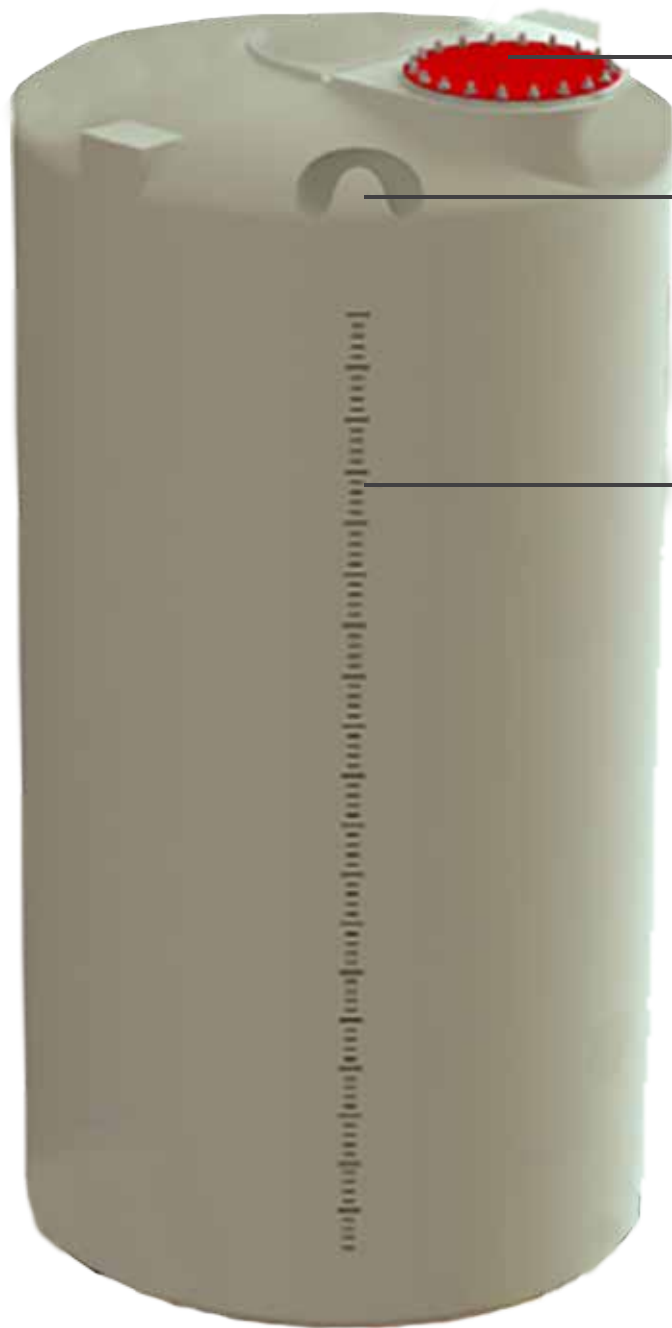
Chemical compatibility determines the resin and specific gravity.
 Tanks available in 1.5 and 1.9 specific gravity.
 Capacities and dimensions are approximate.

Optional 8" Screw Top Manway



Vertical Closed Top

Commercial Grade



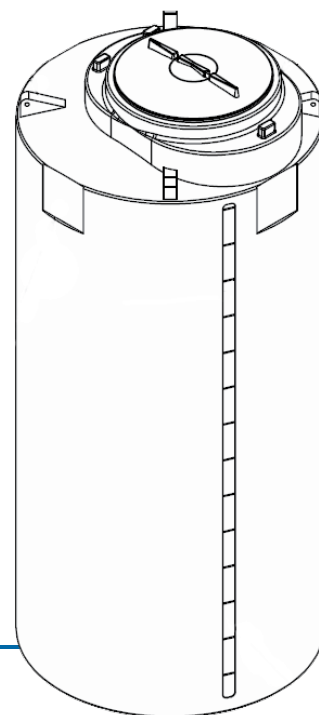
15" Threaded, Vented Manway

4 x Tie Down Lugs

Molded-in Gallon Marker

Additional Available Options:

- Lifting Lugs
- Tie Downs
- Welded Fittings
- Bulkhead Fittings
- Fill Lines
- Goose Neck Vents
- Outlets



Capacity:

250 Imperial Gallons - 8,800 Imperial Gallons
(300 USG - 10,566 USG)



Vertical Closed Top Tanks / Commercial Grade

Model No.	Part No.	Capacity			Dimensions	
		IG	USG	Litres	ID	HT
VST-250	1219-00300B-0015	250	300	1135	35	80
VST-450	1219-00550B-0015	450	540	2046	48	75
VST-700	1219-00850B-0015	700	840	3182	48	114
VST-900	1219-01100B-0015	900	1080	4191	86	56
VST-900	1219-01101B-0015	900	1080	4091	64	87
VST-1300	1219-01550B-0015	1300	1560	5910	64	122
VST-1700	1215-02000B-0015	1700	2040	7728	90	89
VST-2100	1215-02500B-0015	2100	2520	9547	90	108
VST-2500	1215-03000B-0015	2500	3000	11365	90	127
VST-2500	1215-03001B-0015	2500	3000	11365	102	96
VST-3300	1215-03900B-0015	3300	4000	15002	102	131
VST-4100	1215-05000B-0015	4000	5000	18639	102	156
VST-4600	1215-05500B-0015	4600	5520	20912	120	131
VST-5000	1215-06000B-0015	5000	6000	22720	102	187
VST-5400	1215-06500B-0015	5400	6480	24548	120	152
VST-8800	1215-10500B-0015	8800	10560	40005	142	169



Notes:

Commercial tanks do not meet ASTM Standard
 Part Number 1215 is for 1.5 SG
 Part Number 1219 is for 1.9 SG
 Available in Linear HDPE only
 Capacities and dimensions are approximate

RTS Plastics' Vertical Closed Top Commercial Tanks are rotationally molded in one piece, using Linear High-Density Polyethylene (HDLPE) in a wide range of sizes and capacities.

The tanks are UV stabilized for long-term outdoor use and are perfect for storing non-corrosive and food-grade liquids.



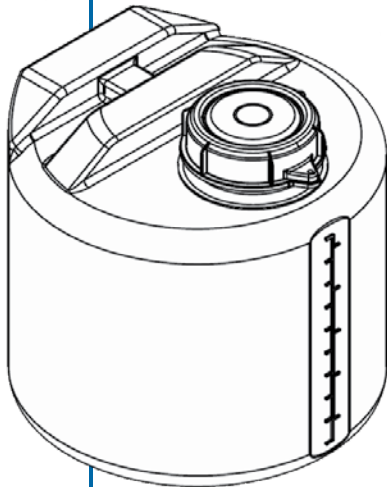
Vertical Closed Top

Industrial Grade

All materials are UV Stabilized for long-term outdoor use.

Additional Available Options:

- Lifting Lugs
- Tie Downs
- Welded Fittings
- Bulkhead Fittings
- Fill Lines
- Goose Neck Vents
- Outlets



RTS seamless roto-molded freestanding tanks are ideal for a wide variety of water and chemical storage.

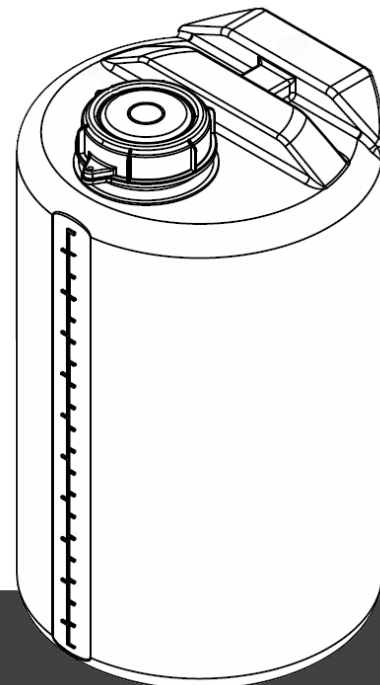
Capacity:

22 Imperial Gallons -
 12,500 Imperial Gallons
 (26 USG - 15,000 USG)

Model No.	Part No.	Capacity			Dimensions	
		IG	USG	Litres	ID	HT
VST-22TB	1039-X2223A-0000	22	26	100	22	24
VST-22XTB	1089-X2222A-0010	22	26	100	22	22
VST-44TB	1039-X2239A-0000	44	53	200	22	39
VST-44XTB	1089-X2238A-0000	44	53	200	22	38
VST-50	1039-X2434A-0000	50	60	227	24	34
VST-55	1219-00065B-0010	55	66	250	24	46
VST-66TB	1039-X2255A-0000	66	79	300	22	55
VST-66XTB	1089-X2253A-0000	66	79	300	22	53
VST-75	1039-X2450A-0000	75	90	340	24	50
VST-88TB	1039-X2648A-0000	88	106	400	26	48
VST-88XTB	1089-X2653A-0000	88	106	400	26	53
VST-90	1219-00110B-0010	90	115	410	33	41
VST-110TB	1039-X2661A-0000	110	132	500	26	61
VST-110XTB	1089-X2666A-0000	110	132	500	26	66
VST-125	1039-X3050A-0000	125	132	500	30	50
VST-125	1039-X4625A-0000	125	150	568	46	25
VST-165	1219-00200B-0010	165	200	750	33	69
VST-170	1219-00201B-0010	170	204	773	40	48
VST-175	1039-X3070A-0000	175	210	800	30	70
VST-250	1219-00300B-0010	250	300	1135	35	80
VST-250	1039-X4648A-0000	250	300	1137	46	49
VST-350	1039-X4662A-0000	350	420	1591	46	62
VST-450	1219-00550B-0010	450	540	2046	48	75
VST-450	1219-00551B-0010	450	540	2046	64	46
VST-500	1039-X4692A-0000	500	600	2273	46	92
VST-501	1039-X5862A-0000	500	600	2273	58	63
VST-700	1219-00850B-0010	700	840	3182	48	114
VST-900	1215-01101B-0010	900	1080	4091	64	87
VST-900	1219-01100B-0010	900	1080	4091	86	56
VST-1045	1039-X8070A-0000	1045	1254	4751	80	70
VST-1210	1039-X8079A-0000	1210	1452	5501	80	79
VST-1300	1215-01550B-0010	1300	1560	5910	64	122
VST-1360	1039-X8679A-0000	1360	1632	6183	86	79
VST-1700	1215-02000B-0010	1700	2040	7728	90	89

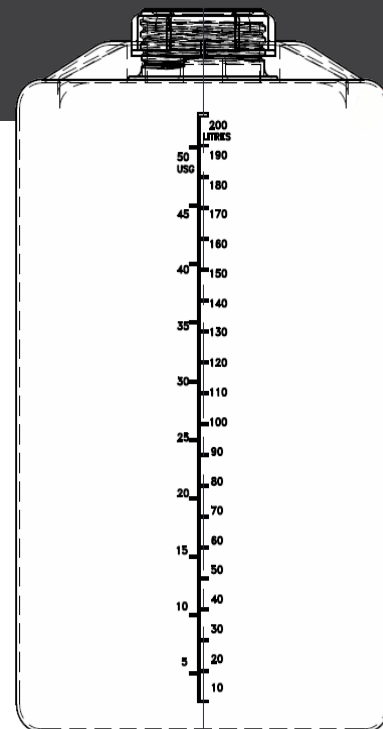


Model No.	Part No.	Capacity			Dimensions	
		IG	USG	Litres	ID	HT
VST-2100	1215-02500B-0010	2100	2520	9547	90	108
VST-2501	1215-03001B-0010	2500	3000	11365	102	96
VST-2500	1215-03000B-0010	2500	3000	11365	90	127
VST-3300	1215-04100B-0010	3300	3960	15002	102	131
VST-3700	1215-04400B-0010	3700	4440	16820	90	183
VST-3800	1215-04500B-0010	3800	4560	17275	102	141
VST-4100	1215-05000B-0010	4100	4920	18639	90	202
VST-4600	1215-05500B-0010	4600	5520	20912	120	131
VST-4700	1215-05600B-0010	4700	5640	21366	142	102
VST-5400	1215-06500B-0010	5400	6480	24548	120	152
VST-7300	1215-08750B-0010	7300	8760	33186	142	142
VST-8800	1215-10500B-0010	8800	10560	40005	142	169
VST-10500	1215-12500B-0010	10500	12600	47733	142	198
VST-12500	1215-15000B-0010	12500	15000	56825	142	234

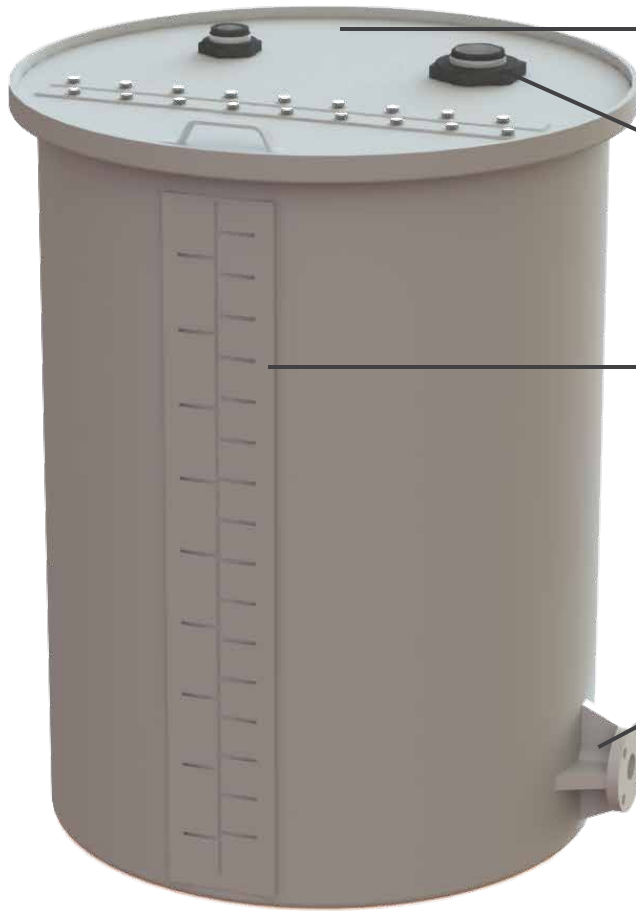


Notes:

Part Number 1035 denotes: 1.5 Specific Gravity
 Part Number 1039 denotes: 1.9 Specific Gravity
 Part Number 1089 denotes: 1.9 Specific Gravity
 Cross linked HDPE pricing available
 Capacities and dimensions are approximate



Vertical Open Top



Optional Bolt and Gasket Cover
(Slip on cover also available)

Threaded Cap w/ Gasket

Molded-in Gallon Marker

Optional welded poly flanged or bulkhead fitting for low sidewall discharge

Capacity:
5 Imperial Gallons - 5,600 Imperial Gallons
(6 USG - 6,900 USG)

Welded Flat Sheet Covers For Open Top Tanks

Size	Bolt/Gasket	c/w 16" Manway	c/w 6" Manway	1/3 -2/3 Hinge
22"	yes	yes	yes	yes
26"	yes	yes	yes	yes
30"	yes	yes	yes	yes
36"	yes	yes	yes	yes
42"	yes	yes	yes	yes
48"	yes	yes	yes	yes
60"	yes	yes	yes	yes
72"	yes	yes	yes	yes

Notes:
3/8" and 1/2" thick lid up to 42" diameter, 1/2" thick for 48", 60", & 72".
Bolt and Gasket cover assembled with poly bolts and gasket. 6" caps are Poly-Pro threaded with EPDM gasket, 16" have 4" removable centre vent.
Consult industrial tank specification for proper fitting locations
Consult chemical resistance chart for chemical compatibility



Vertical Open Top Tanks

Model No.	Part No.	Capacity			Dimensions	
		IG	USG	Litres	ID	HT
VOT-5	1019-01115T-0000	5	6	23	11	15
VOT-12	1019-01328T-0000	12	14	55	13	27
VOT-15	1019-01624T-0000	15	18	68	16	24
VOT-15	1019-01718T-0000	15	18	68	17	18
VOT-20	1019-01724T-0000	20	24	91	17	24
VOT-25	1019-01634T-0000	25	30	114	16	34
VOT-25	1019-01730T-0000	25	30	114	17	30
VOT-30	1019-01833T-0000	30	36	136	18	33
VOT-30	1019-02028T-0000	30	36	136	20	28
VOT-30	1019-02222T-0000	30	36	136	22	22
VOT-45	1019-02233T-0000	45	54	205	22	33
VOT-60	1019-02244T-0000	60	72	273	22	45
VOT-75	1019-02642T-0000	75	90	341	26	42
VOT-75	1019-02448T-0000	75	90	341	24	48
VOT-100	1019-03040T-0000	100	120	455	30	40
VOT-125	1019-03050T-0000	125	150	568	30	50
VOT-125	1019-03635T-0000	125	150	568	36	35
VOT-150	1019-03642T-0000	150	180	682	36	42
VOT-175	1019-03648T-0000	175	210	796	36	48
VOT-178	1019-03073T-0000	178	214	809	30	73
VOT-200	1015-03656T-0000	200	240	909	36	56
VOT-250	1015-04252T-0000	250	300	1137	42	52
VOT-300	1015-04849T-0000	300	360	1364	48	49
VOT-400	1015-04862T-0000	400	480	1818	48	62
VOT-500	1015-04884T-0000	500	600	2273	48	84
VOT-500	1015-05260T-0000	500	600	2273	55	60
VOT-600	1015-06065T-0000	600	720	2728	60	65
VOT-750	1015-07254T-0000	750	900	3410	72	54
VOT-1000	1015-07270T-0000	1000	1200	4546	72	70
VOT-1500	1205-01800B-0010	1500	1800	6800	86	76
VOT-3000	1205-03600B-0010	3000	3600	13620	102	108
VOT-4800	1205-05899B-0010	4800	5800	21800	120	125

Slip On Cover Option



Notes:

Part No. 1015 and 1205: denotes 1.5 SG
 Part No. 1019: denotes 1.9 SG
 VOT-1500 and < only in HDLPE.
 Capacities and dimensions are approximate
 Lids for any diameter tank other than 60" and 72" are limited inventory unless ordered with tank

Dispensing Tanks



Dispensing Tanks

Model No.	Part Number	Capacity			Dimensions	
		IG	USG	Litres	ID	HT
VST-50	1039-X2434A-0000	50	59	227	24	34
VST-75	1039-X2450A-0000	75	90	341	24	50
VST-125	1039-X3050A-0000	125	150	568	30	50
VST-175	1039-X3070A-0000	175	210	795	30	70

Dispensing Tank Stands

Model No.	Part Number	Height
24" Stand	1850-02400T-8020	21"
30" Stand	1850-03000T-8020	21"

RTS Plastics' new line of Dispensing Tanks are rotationally molded in one piece, using Linear High-Density Polyethylene (HDLPE) in 4 sizes.

The tanks are UV stabilized for long-term outdoor use and are perfect for storing non-corrosive and food-grade liquids.

Custom Tanks / Molding

Since 2000, RTS Companies' plastics division has produced high quality Rotationally Molding plastic parts for customers such as Skyjack, Linamar and Viking.

With state-of-the-art facilities in Ontario Canada and Ohio USA, our trained engineers, developers and project managers produce a range of custom and proprietary tanks, liquid containment vessels, parts and custom molded products.



PRODUCTS:

- Fuel Tanks
- Material Handling Containers
- Hazardous Chemical Containment
- Machine and Equipment Housing

Custom Windshield Washer
Fluid Tank



Custom Fuel Tank for ATV

Custom Tanks / Molding

INDUSTRIES SERVED

- Medical
- Municipal Government
- Agriculture
- Waste Management
- Food Processing
- Chemical Labs
- Fish Farming
- Tool and Die



SERVICES

- Drawings and Specifications
- Quality Control - Quality Assurance
- Molded-in Inserts and Graphics
- Spin Welding
- U.I., U.N., C.S.A. Certifications
- Drop Shipping Services
- Facilities in Canada and USA
- Full Assembly
- ISO Certified Company

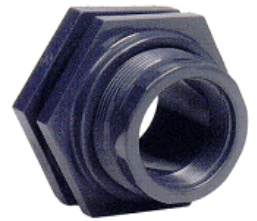


Fittings & Adaptors



RTS Plastics' Tanks can be manufactured and delivered with any number of fittings or adaptors that your application requires, including:

- Weld In Place Fittings
- PVC Bolted / Gasket FNPT Flange Fittings
- Bulkhead Fittings
- Self-Aligning Dome Bulkhead Fittings
- PVC Flang Adaptors
- Bellow Type Fittings
- Bellow Flange Adaptor Fittings



Fittings & Adaptors

Weld In Place Fittings

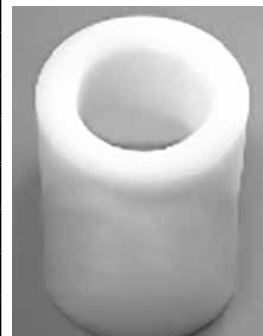
FNPT Boss

Size	Part No.
1/2"	9701-010500-0000
3/4"	9701-010700-0000
1"	9701-011000-0000
1 1/2"	9701-011500-0000
2"	9701-012000-0000
3"	9701-013000-0000
4"	9701-014000-0000



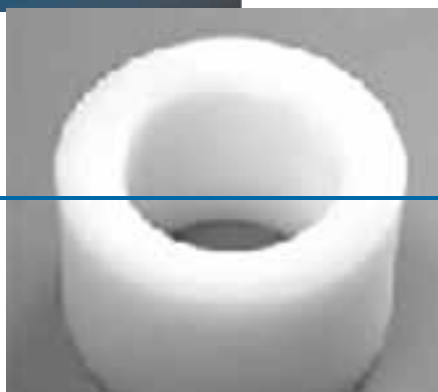
FNPT Coupling

Size	Part No.
1/2"	9701-030500-0000
3/4"	9701-030700-0000
1"	9701-031000-0000
1 1/2"	9701-031500-0000
2"	9701-032000-0000
3"	9701-033000-0000
4"	9701-034000-0000



FNPT Flange

Size	Part No.
1/2"	9703-010500-00-10
3/4"	9703-010700-00-10
1"	9703-011000-00-10
1 1/2"	9703-011500-00-10
2"	9703-012000-00-10
3"	9703-013000-00-10



PVC Bolted / Gasket FNPT Flange Fittings

EPDM Gasket / Stainless Bolts

Size	Part No.
1"	9703-101000-6502
1 1/2"	9703-101500-6502
2"	9703-102000-6502
3"	9703-103000-6502
4"	9703-104000-6502
6"	9703-106000-6502
8"	9703-108000-6502

Viton Gasket / Stainless Bolts

Size	Part No.
1"	9703-101000-6602
1 1/2"	9703-101500-6602
2"	9703-102000-6602
3"	9703-103000-6602
4"	9703-104000-6602
6"	9703-106000-6602
8"	9703-108000-6602



EPDM Gasket / Titanium Bolts

Size	Part No.
1"	9703-071000-6502
1 1/2"	9703-071500-6502
2"	9703-072000-6502
3"	9703-073000-6502
4"	9703-074000-6502
6"	9703-076000-6502
8"	9703-078000-6502

Viton Gasket / Titanium Bolts

Size	Part No.
1"	9703-071000-6602
1 1/2"	9703-071500-6602
2"	9703-072000-6602
3"	9703-073000-6602
4"	9703-074000-6602
6"	9703-076000-6602
8"	9703-078000-6602



EPDM Gasket / Hasteloy Bolt

Size	Part No.
1"	9703-111000-6502
1 1/2"	9703-111500-6502
2"	9703-112000-6502
3"	9703-113000-6502
4"	9703-114000-6502
6"	9703-116000-6502
8"	9703-118000-6502

Viton Gasket / Hasteloy Bolt

Size	Part No.
1"	9703-271000-6602
1 1/2"	9703-271500-6602
2"	9703-272000-6602
3"	9703-273000-6602
4"	9703-274000-6602
6"	9703-276000-6602
8"	9703-11800-6602



Fittings & Adaptors

Bulkhead Fittings

PVC Bulkhead / EPDM Gasket

Size	Part No.
1/2"	9702-010500-6502
3/4"	9702-010700-6502
1"	9702-011000-6502
1 1/4"	9702-011200-6502
1 1/2"	9702-011500-6502
2"	9702-012000-6502
3"	9702-013000-6502
4"	9702-014000-6502

PVC Bulkhead / Viton Gasket

Size	Part No.
1/2"	9702-010500-6602
3/4"	9702-010700-6602
1"	9702-011000-6602
1 1/4"	9702-011200-6602
1 1/2"	9702-011500-6602
2"	9702-012000-6602
3"	9702-013000-6602
4"	9702-014000-6602

Poly-Pro Bulkhead / EPDM Gasket

Size	Part No.
1/2"	9702-010500-6501
3/4"	9702-010700-6501
1"	9702-011000-6501
1 1/4"	9702-011200-6501
1 1/2"	9702-011500-6501
2"	9702-012000-6501
3"	9702-013000-6501
4"	9702-014000-6501

Poly-Pro Bulkhead / Viton Gasket

Size	Part No.
1/2"	9702-010500-6601
3/4"	9702-010700-6601
1"	9702-011000-6601
1 1/4"	9702-011200-6601
1 1/2"	9702-011500-6601
2"	9702-012000-6601
3"	9702-013000-6601
4"	9702-014000-6601

CPVC and PVDF available. Consult RTS for pricing.

Self Aligning Dome Bulkhead Fittings

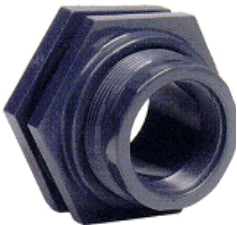
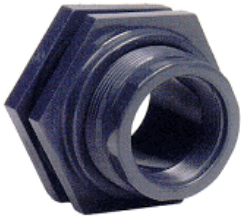
Size	Part No.
1"	9702-031000-6502
2"	9702-032000-6502
3"	9702-033000-6502

Size	Part No.
1"	9702-031000-6602
2"	9702-032000-6602
3"	9702-033000-6602

PVC Flange Adaptors

Size	Part No.
1"	9703-531000-0002
1 1/2"	9703-531500-0002
4"	9703-534000-0002
6"	9703-536000-0002

Size	Part No.
1"	9703-581000-0002
1 1/2"	9703-581500-0002
4"	9703-584000-0002
6"	9703-586000-0002



“Bellow” Type Fittings for Vertical Tanks

EPDM Gasket / Titanium Bolts

Size	Part No.
2"	9703-402000-6502
3"	9703-403000-6502
4"	9703-404000-6502

Viton Gasket / Titanium Bolts

Size	Part No.
2"	9703-402000-6602
3"	9703-403000-6602
4"	9703-404000-6602



EPDM Gasket / C-276 Bolts

Size	Part No.
2"	9703-392000-6502
3"	9703-393000-6502
4"	9703-394000-6502

Viton Gasket / C-276 Bolts

Size	Part No.
2"	9703-392000-6602
3"	9703-393000-6602
4"	9703-394000-6602

EPDM Gasket / Stainless Bolts

Size	Part No.
2"	9703-382000-6502
3"	9703-383000-6502
4"	9703-384000-6502

Viton Gasket / Stainless Bolts

Size	Part No.
2"	9703-382000-6602
3"	9703-383000-6602
4"	9703-384000-6602

Bellows type connection includes tank fitting.

“Bellow” Flange Adaptor Fittings

Threaded / Stainless Bolts

Size	Part No.
2"	9703-602000-0002
3"	9703-603000-0002
4"	9703-604000-0002

Socket / Stainless Bolts

Size	Part No.
2"	9703-632000-0002
3"	9703-633000-0002
4"	9703-634000-0002



Threaded / Titanium Bolts

Size	Part No.
2"	9703-622000-0002
3"	9703-623000-0002
4"	9703-624000-0002

Socket / Titanium Bolts

Size	Part No.
2"	9703-652000-0002
3"	9703-653000-0002
4"	9703-654000-0002

Threaded / C-276 Bolts

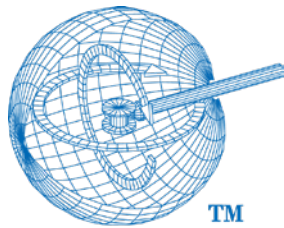
Size	Part No.
2"	9703-612000-0002
3"	9703-613000-0002
4"	9703-614000-0002

Socket / C-276 Bolts

Size	Part No.
2"	9703-642000-0002
3"	9703-643000-0002
4"	9703-644000-0002

Notes:

Consult industrial tank specification for proper fitting locations
 Consult chemical resistance chart for chemical compatibility



TM

RTS

PLASTICS

A Division of RTS Companies Inc.



RTS Plastics

Engineered Plastic Tanks

1027 Industrial Place | St. Clements, Ontario, Canada | N0B 2M0
2900 Industrial Park Dr. | Austinburg, Ohio, USA | 44010
t. 519.699.0022 | 800.663.2803 | f. 519.699.0027 | www.rtscompaniesinc.com